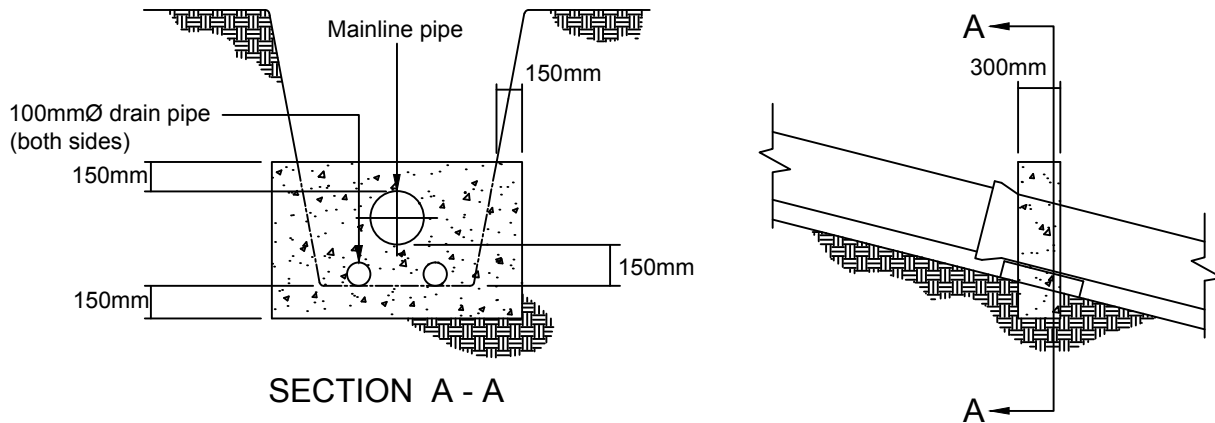


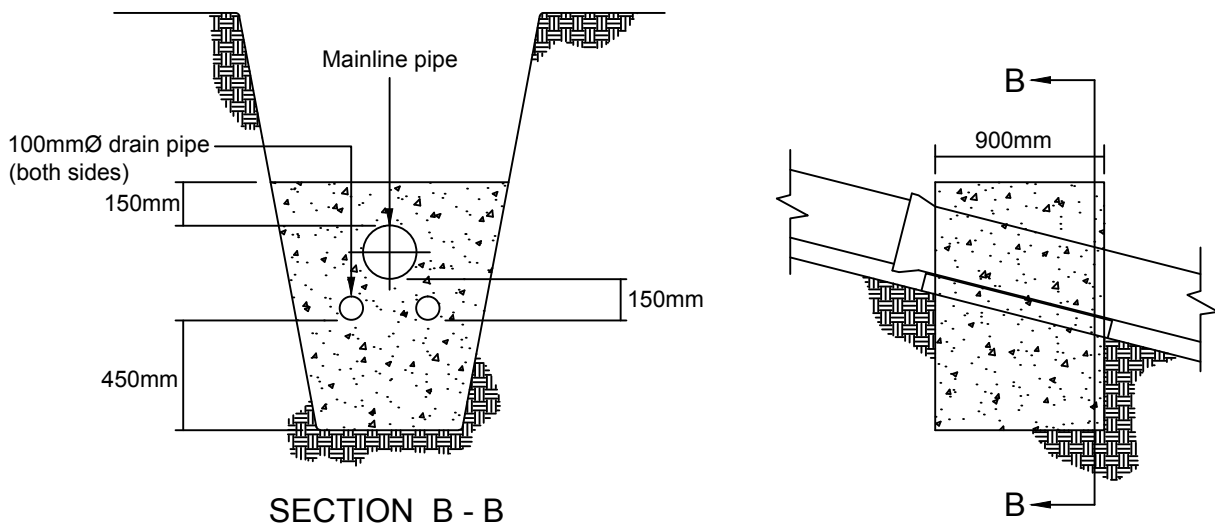
ALTERNATIVE 1

For use in tills and other stable, well compacted native materials



ALTERNATIVE 2

For use in clean gravels, sands and other loose permeable native materials



MAXIMUM SPACING OF PIPE ANCHOR BLOCKS (note 4)			
SAN & STM GRAVITY SEWERS		WATERMAINS & FORCEMAINS	
SLOPE	MAX. SPACING	SLOPE	MAX. SPACING
15% - 20%	25m	10% or greater	10m
20% - 35%	20m		
35% - 50%	15m		
Over 50%	10m		

NOTES:

1. Applicable to all pipe materials.
2. Use 20MPa concrete unless specified otherwise on the contract drawings.
3. Blocks are to be placed at the bell end of the pipe as shown.
4. Refer to contract drawings for spacing other than shown in table.



RESORT MUNICIPALITY of WHISTLER
PIPE ANCHOR BLOCKS

DRAWN BY: RA

DATE: DECEMBER 2005

SCALE: N.T.S.

DWG. NO.: G8