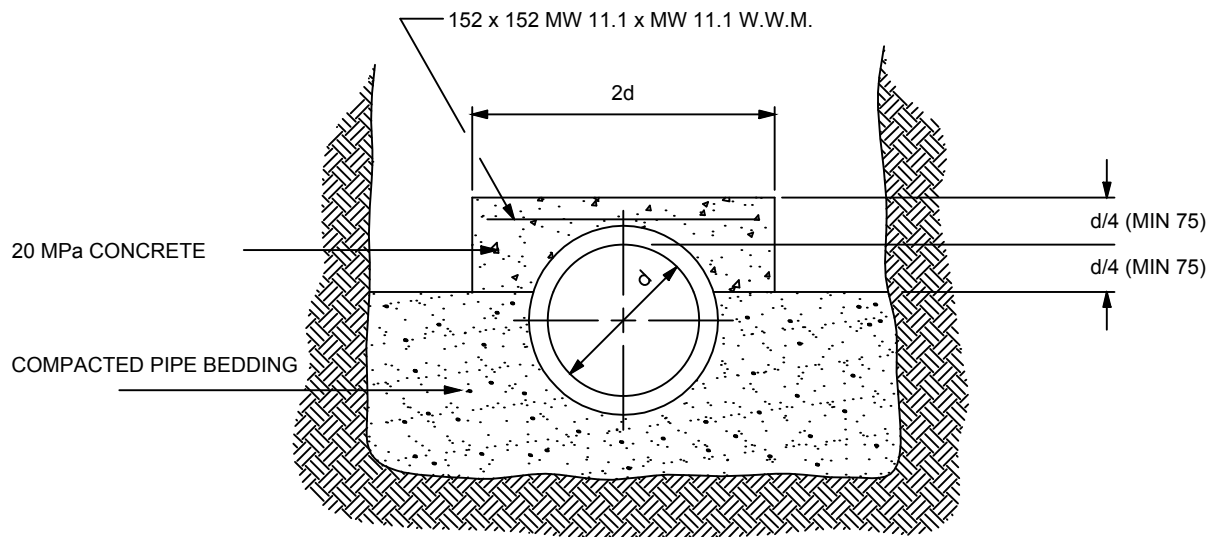


NOTE: 150 MIN. FOR ROCK OR BLASTED ROCK

STANDARD PIPE BEDDING INSTALLATION



CONCRETE ARCH ENCASEMENT

d = OUTSIDE DIAMETER OF PIPE



RESORT MUNICIPALITY of WHISTLER

STANDARD PIPE BEDDING

DRAWN BY: BL

DATE: JANUARY 2003

SCALE: N.T.S.

DWG. NO.: G9