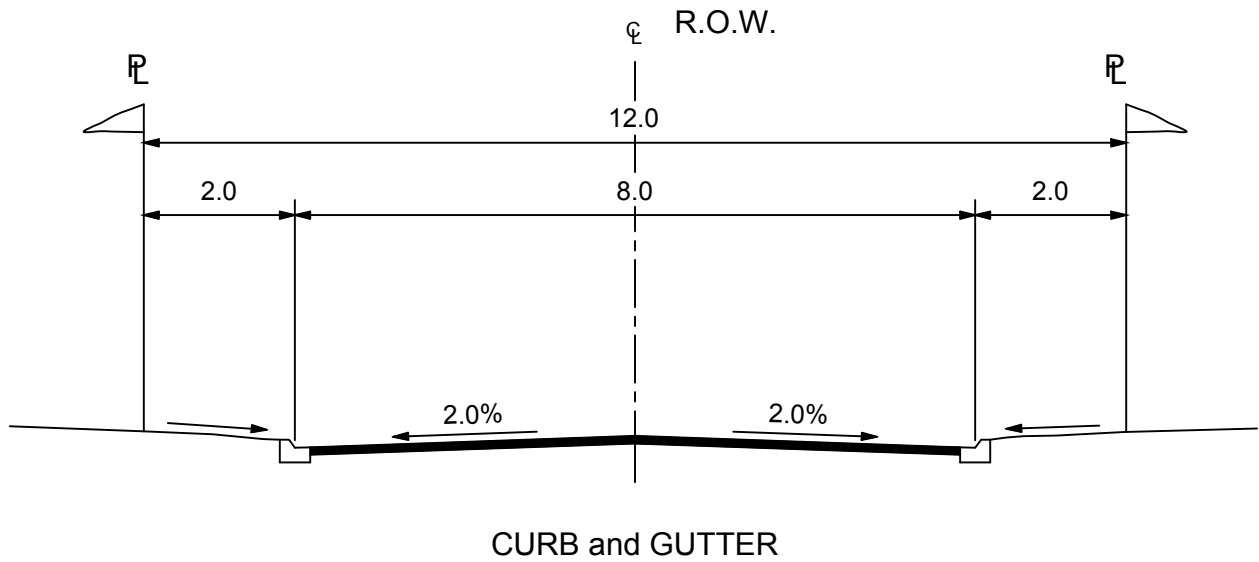
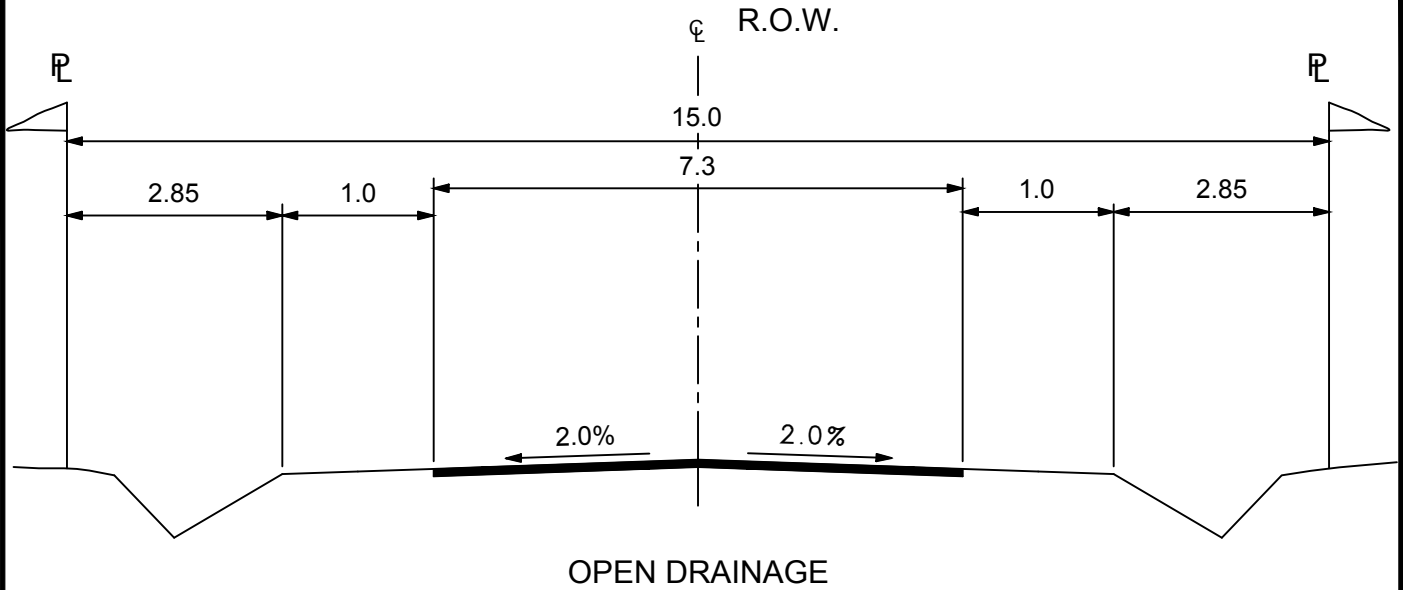


ACCESS ROUTE SERVING OVER 10 UNITS



NOTE: FOR ROAD STRUCTURE DETAIL SEE STRATA ROAD - LEVEL 1.



RESORT MUNICIPALITY of WHISTLER

STRATA ROADS - LEVEL 4

DRAWN BY :BL

DATE: JULY 2008

SCALE: N.T.S.

DWG. NO.: R18