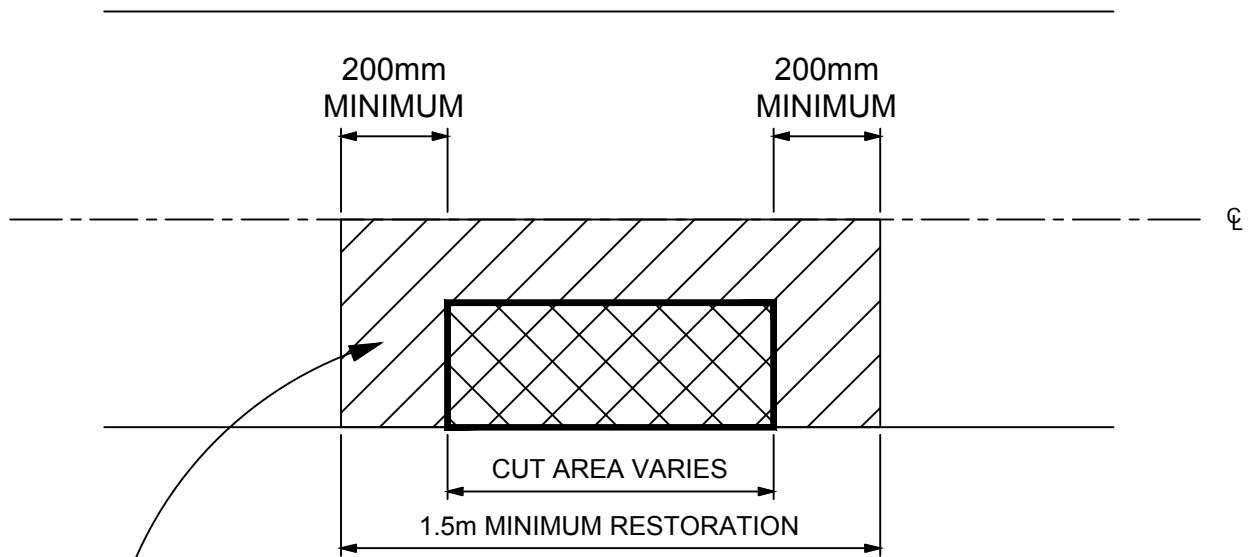


SITUATION A

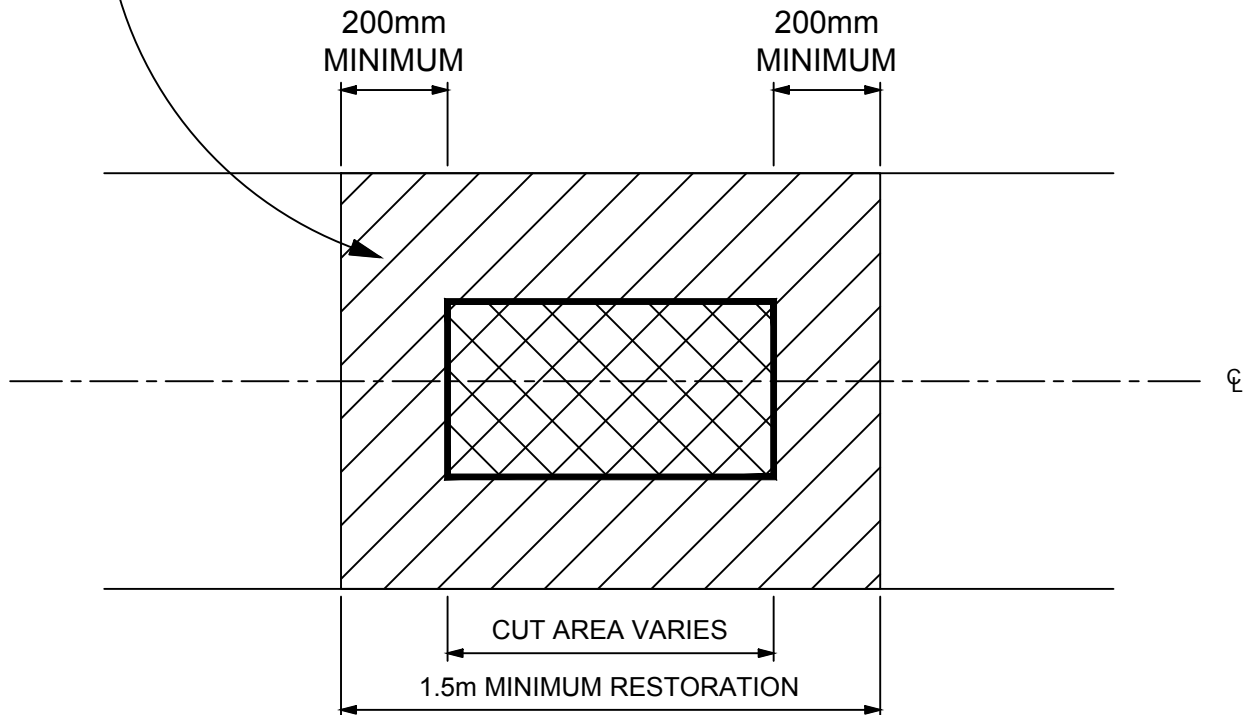
ROAD CUT LIMITED TO ONE SIDE OF CENTRELINE



OVERLAY
AREA

SITUATION B

ROAD CUT STRADDLING CENTRELINE



NOTE:

Refer to Sections 02512 of the Master Municipal Construction Document for detailed specifications.



RESORT MUNICIPALITY of WHISTLER

ROAD CUT OVERLAY

DRAWN BY: BL

DATE: MARCH 2009

SCALE: N.T.S.

DWG. NO.: R20