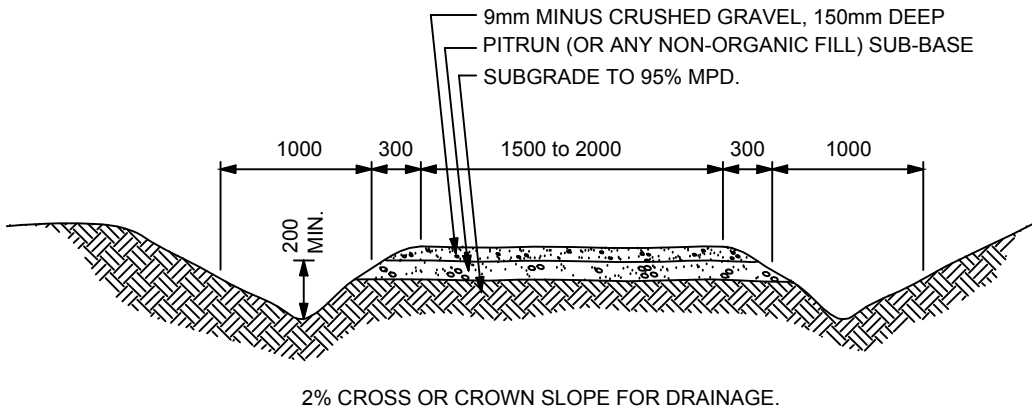


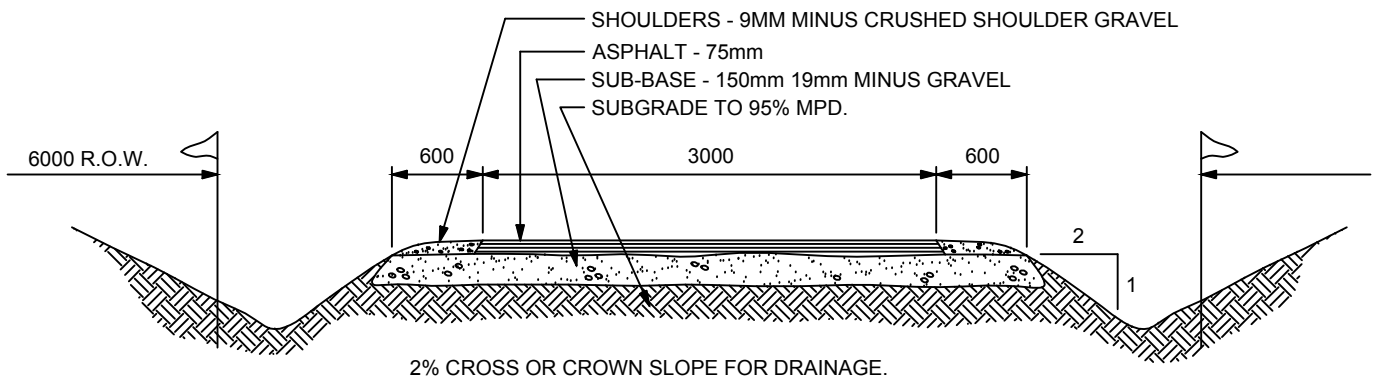
NOTE: BOULDERS TO SHORE UP EDGES AND TO REDUCE CUT AND MILL SCARS ON STEEP CROSS SLOPES NOT TO BE USED ON NORDIC TRAILS.

GRAVEL TRAIL



NOTE: BOULDERS MAY BE USED TO SHORE STEEP EDGES ALONG WALKWAYS.

PEDESTRIAN WALKWAY



NOTES:

1. SHOULDER & SWALE CLEARED TO MIN. 1600mm FOR NORDIC (MACHINE SET X-COUNTRY) TRAILS.
2. ON STEEP CUT BANKS (50-66%) ON NORDIC TRAILS, STRAW & NETTING APPLIED TO STABILIZE SLOPE UNTIL SED & PLANTING TAKE OVER.
3. SWALE - MIN. LONGITUDINAL SLOPE 1%.

VALLEY TRAIL



RESORT MUNICIPALITY of WHISTLER
VALLEY TRAIL STANDARD

DRAWN BY: BL

DATE: APRIL 2014

SCALE: N.T.S.

DWG. NO.: R7