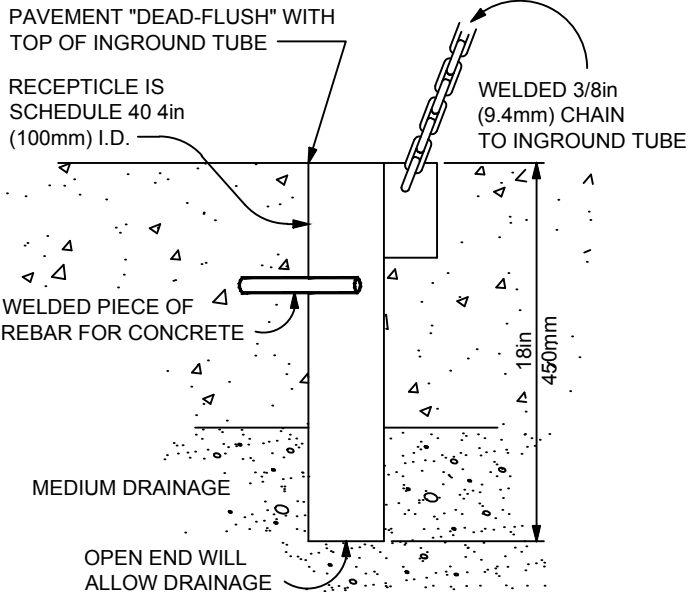
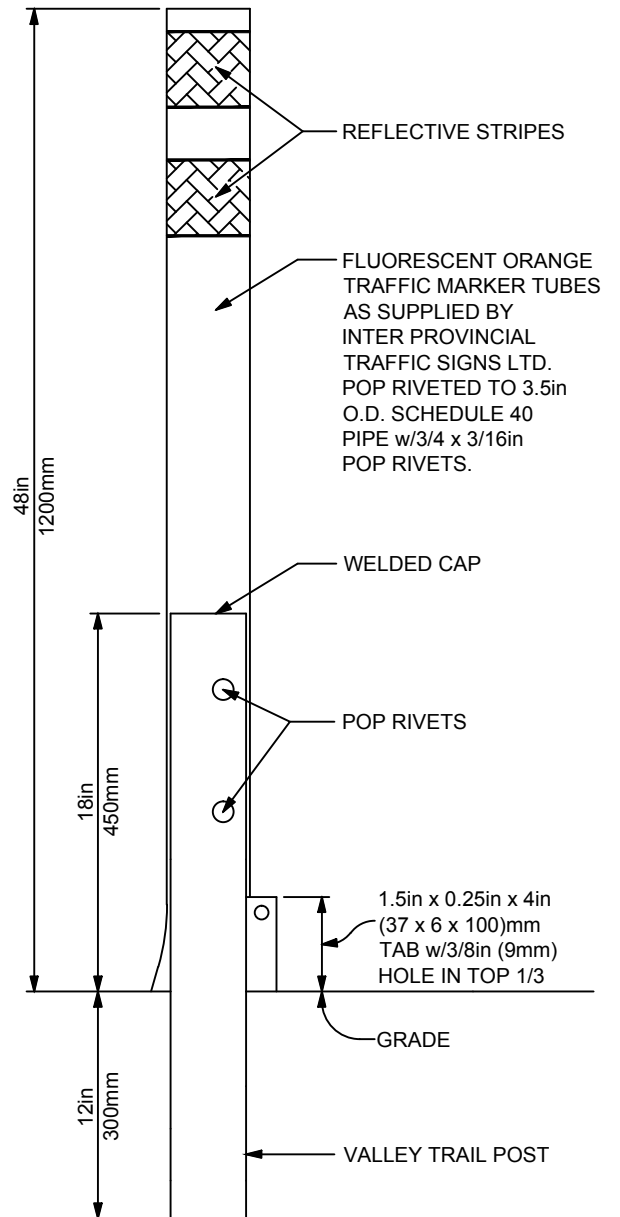
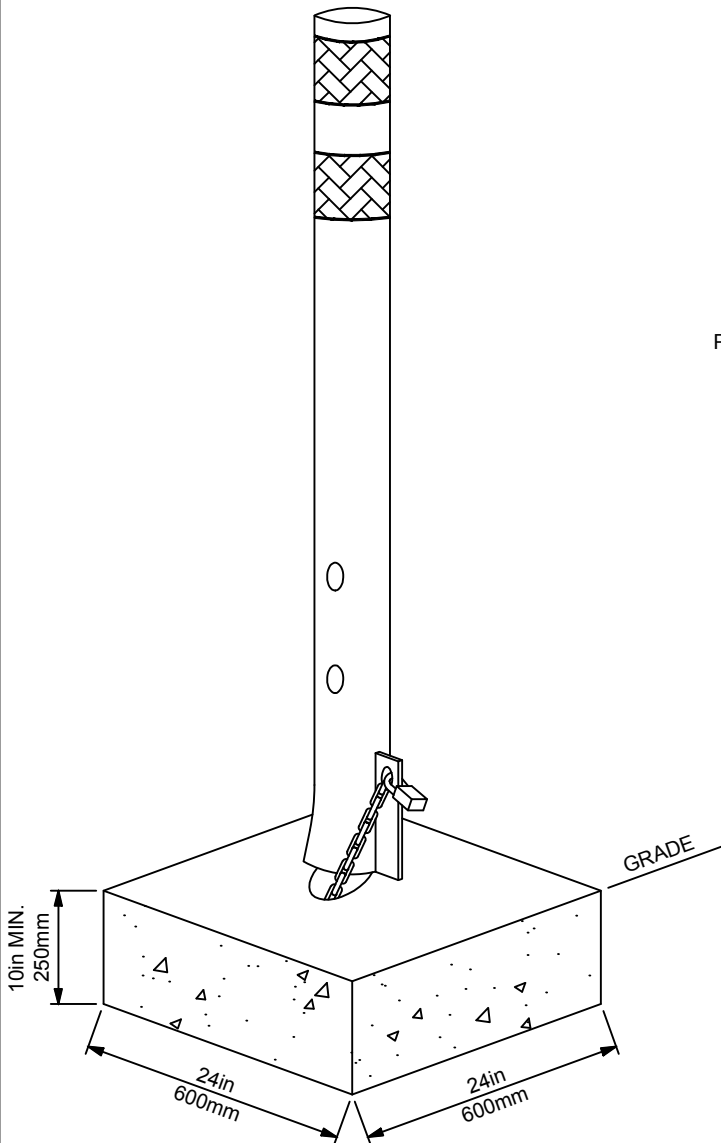
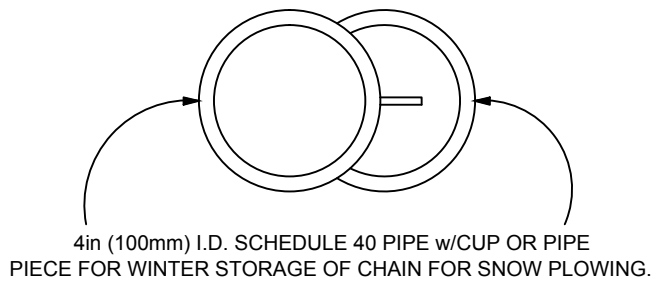


PLAN VIEW OF INGROUND TUBE



RESORT MUNICIPALITY of WHISTLER

VALLEY TRAIL POSTS

DRAWN BY: BL

DATE: JANUARY 2003

SCALE: N.T.S.

DWG. NO.: R9