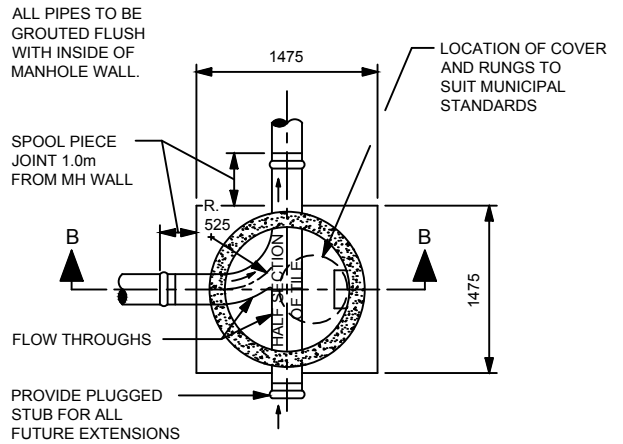
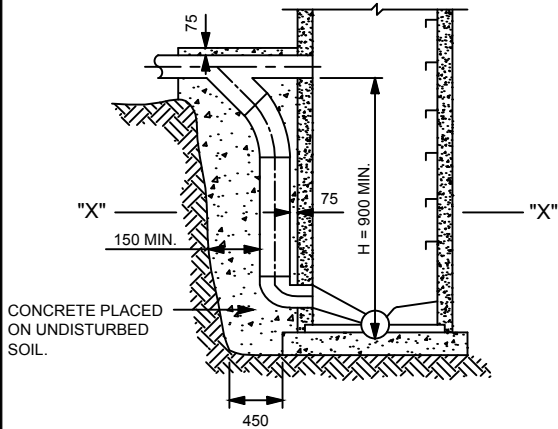


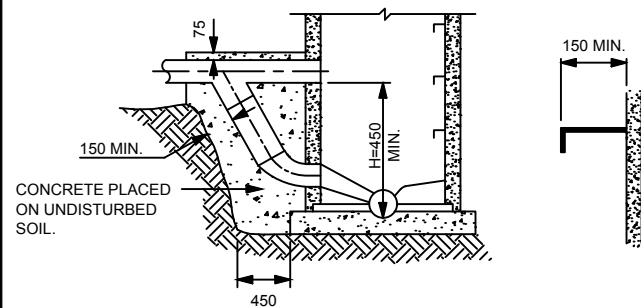
PLAN AT "X-X" SHOWING DROP



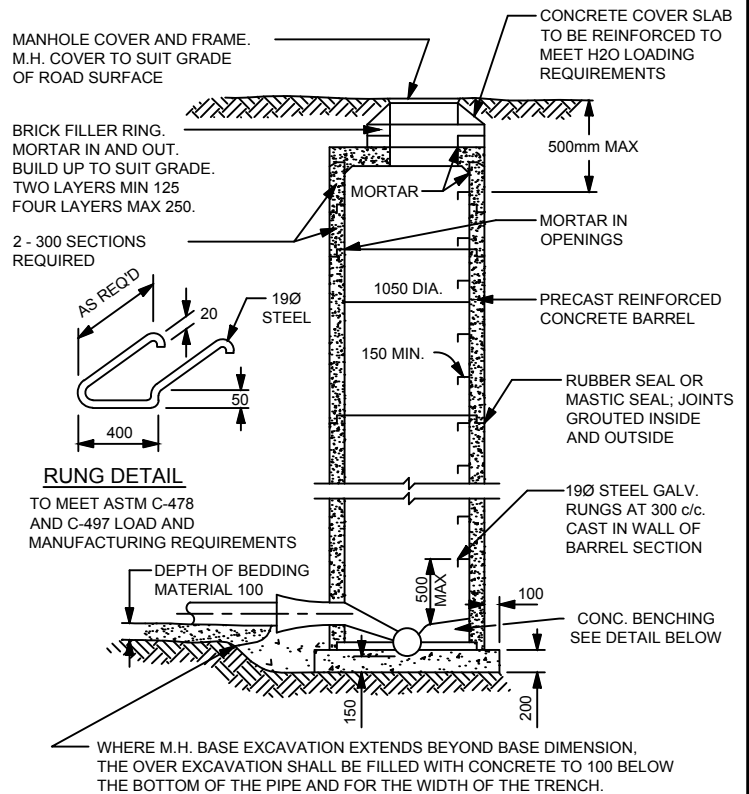
PLAN



SECTION A-A
DROP MANHOLE TYPE I



SECTION A-A
DROP MANHOLE TYPE II



PRECAST REINFORCED CONCRETE BARREL

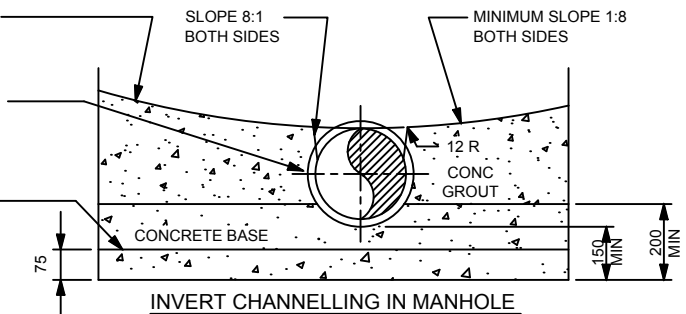
SECTION B-B
TYPICAL MANHOLE

NOTE: NO INSIDE DROP MANHOLES PERMITTED

STEEL TROWEL FINISH ON SURFACE

WHERE POSSIBLE USE HALF SECTIONS, OR BREAK OUT TOP HALF OF PIPE

MANHOLE BASE REINFORCED WITH 152x152 MW11.1 x MW11.1 W.W.M.



RESORT MUNICIPALITY of WHISTLER
STANDARD MANHOLE DETAILS

DRAWN BY: BL

DATE: JULY 2008

SCALE: N.T.S.

DWG. NO.: S1