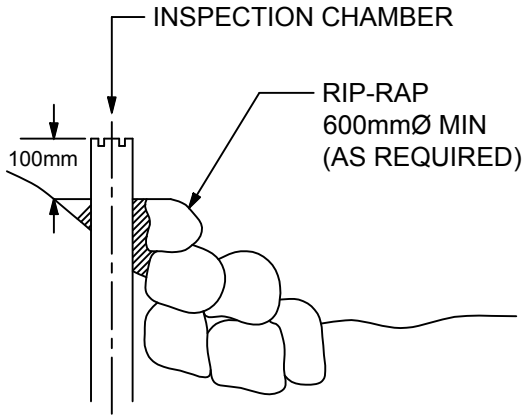


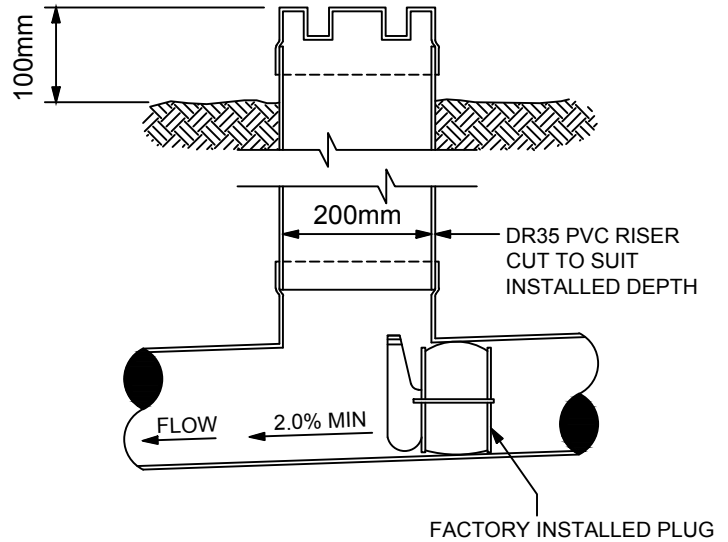
CASE 1:

SANITARY SERVICE INSPECTION CHAMBER IN NON TRAVELLED AREA.



CASE 2:

INSTALLATION IN BOULEVARD



NOTES:

- INSPECTION CHAMBER FITTING WITH FACTORY INSTALLED PLUG, LERON PLASTICS PART #70A4PPAF OR EQUIVALENT
- 200MM INSPECTION CHAMBER LID ADAPTER LOCKING, LERON PLASTICS PART #73AL08HSL OR EQUIVALENT
- 200MM RED LOCKING INSPECTION CHAMBER LID, LERON PLASTICS PART #71ABLID08RGL OR EQUIVALENT
- APPLY AN APPROVED CORROSION PROTECTION SYSTEM TO ALL BURIED FERROUS FITTINGS, FLANGES, FASTENERS, ETC. SUCH AS "DENSO" PETROLATUM TAPE SYSTEM; INCLUDING PASTE, PROFILING MASTIC AND TAPE AS PER MANUFACTURER'S INSTRUCTIONS, OTHER CORROSION PROTECTION SYSTEMS MAY BE USED UPON APPROVAL OF THE RMOW.
- ALL DUPLEX LOTS SHALL HAVE TWO SEPARATE SANITARY AND STORM CONNECTIONS TO THE MUNICIPAL MAIN.

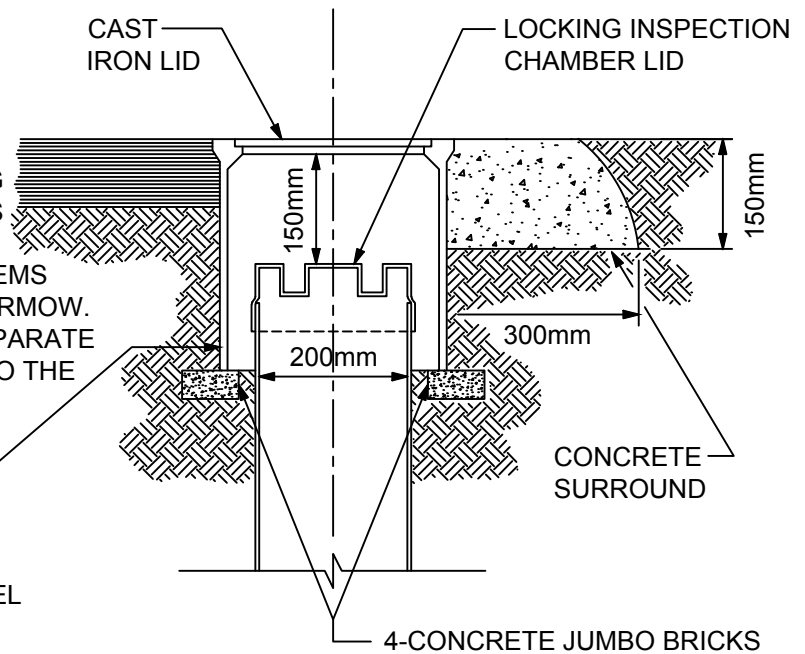
305x508 CONCRETE PULL BOX
37 SERIES BROOKS PRODUCTS LTD.
OR APPROVED EQUIVALENT WITH STEEL
CHEQUER PLATE LID PERMANENTLY
MARKED "SANITARY" AS REQUIRED.

CASE 3:

ASPHALT/CONCRETE DRIVEWAY

CASE 4:

GRAVEL DRIVEWAY



RESORT MUNICIPALITY of WHISTLER

SANITARY & STORM SERVICE INSPECTION CHAMBER

DRAWN BY: BL

DATE: JULY 2017

SCALE: N.T.S.

DWG. NO.: S7-B