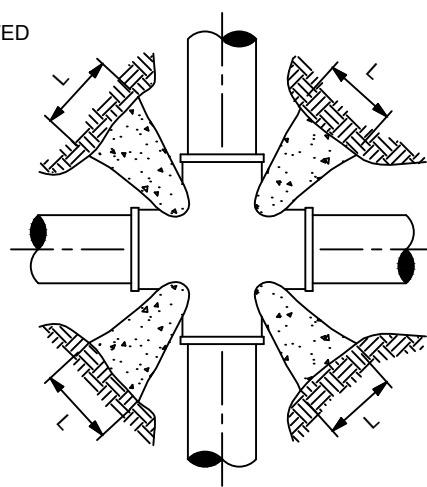
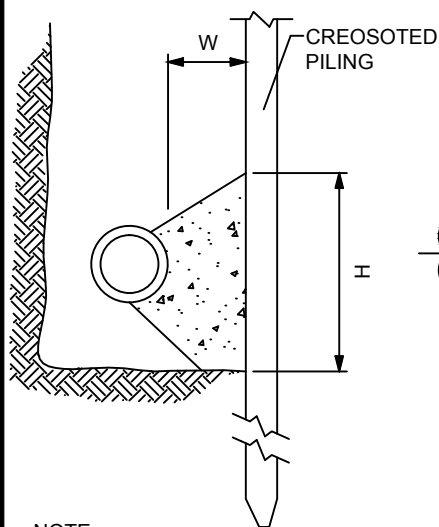


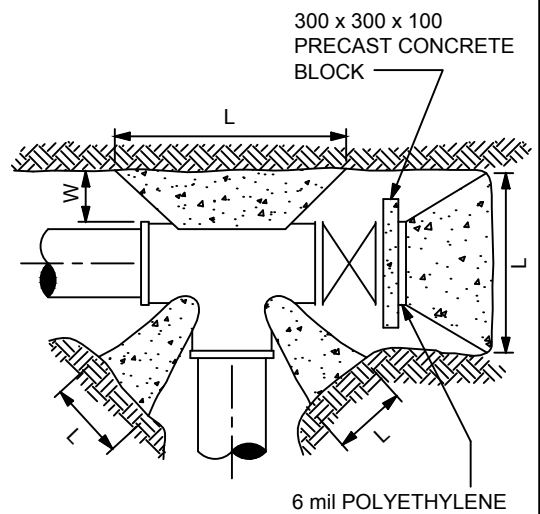
WYE

REDUCER OR LINE VALVE

TEE WITH PLUG



CROSS



TEE WITH VALVE

NOTE:

WHERE GROUND CANNOT BE EXCAVATED TO FREE STANDING UNDISTURBED SOIL, PLANK SHEET PILING SHALL BE DRIVEN TO PROVIDE UNDISTURBED THRUST AREA. PILING TO BE DRIVEN PRIOR TO EXCAVATING FOR THRUST BLOCK AND SHOULD BE USED ONLY BELOW THE PERMANENT WATER TABLE.

NOTE:

REFER TO TABLE ON RMOW STANDARD DWG. NO. W12-A FOR MINIMUM THRUST AREAS.

ENGINEER TO PROVIDE DIMENSIONS ON VERTICAL THRUSTS.



RESORT MUNICIPALITY of WHISTLER

THRUST BLOCK DETAILS

DRAWN BY: BL

DATE: JANUARY 2003

SCALE: N.T.S.

DWG. NO.: W12-B