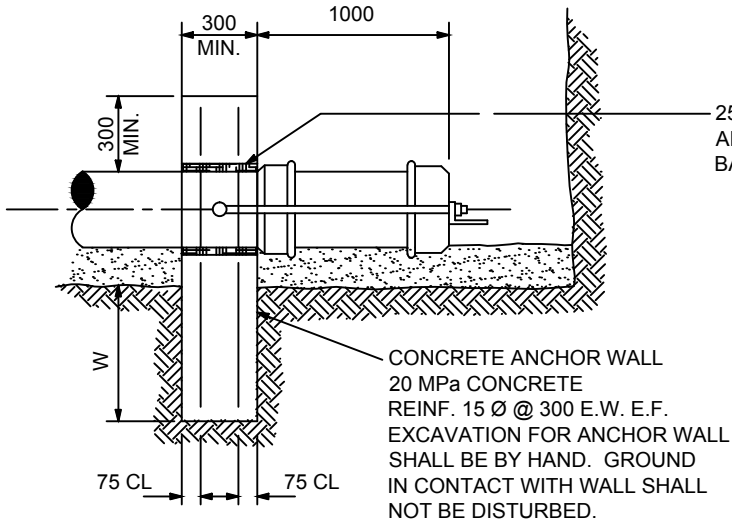
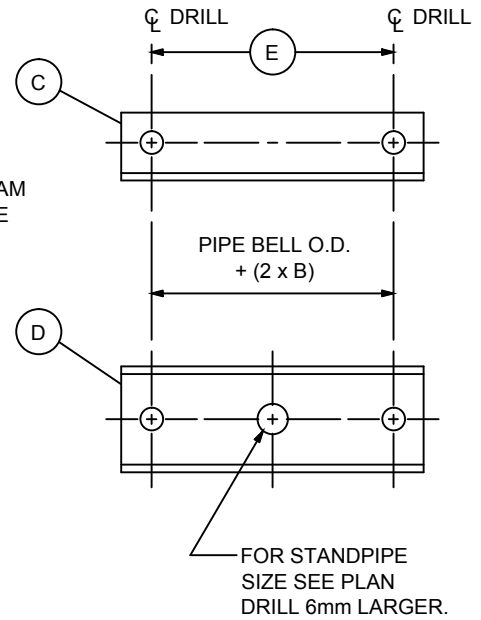


PLAN

END VIEW



SECTION



**DIMENSION SCHEDULE**

A PIPE DIA.	B TIE-RODS	C ANGLE IRON	D CHANNEL IRON	E	W
150	20Ø	75 x 75 x 8 x 350 LG.	C 150 x 19 x 350 LG.	25Ø	300
200	30Ø	90 x 90 x 10 x 450 LG.	C 200 x 21 x 450 LG.	35Ø	400
250	45Ø	125 x 125 x 13 x 560 LG.	C 230 x 30 x 560 LG.	50Ø	500
300	55Ø	125x 125x 16x 660LG.	C 310 x 37 x 660 LG.	60Ø	600

**NOTE:**

APPLY AN APPROVED CORROSION PROTECTION SYSTEM TO ALL BURIED FERROUS FITTINGS, FLANGES, FASTENERS, ETC. SUCH AS "DENSO" PETROLATUM TAPE SYSTEM; INCLUDING PASTE, PROFILING MASTIC AND TAPE AS PER MANUFACTURER'S INSTRUCTIONS. OTHER CORROSION PROTECTION SYSTEMS MAY BE USED UPON APPROVAL OF THE RMOW.



**RESORT MUNICIPALITY of WHISTLER  
STANDARD CAP THRUST ANCHOR**

DRAWN BY: BL

DATE: FEBRUARY 2016

SCALE: N.T.S.

DWG. NO.: W12-C