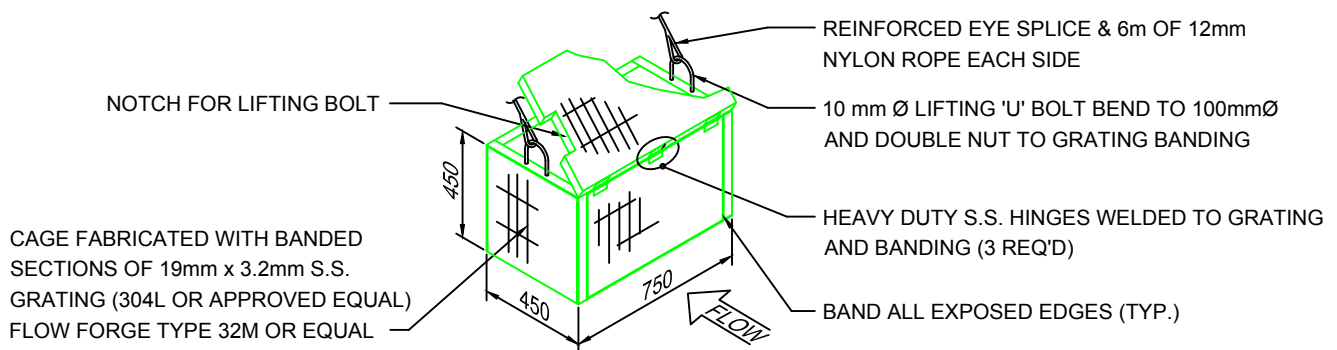


DECHLORINATION CHAMBER DETAIL

SCALE: N.T.S.

SODIUM THIOSULFATE CAGE DETAIL



RESORT MUNICIPALITY of WHISTLER

DECHLORINATION CHAMBER

DRAWN BY: BL

DATE: JANUARY 2018

SCALE: N.T.S.

DWG. NO.: W14