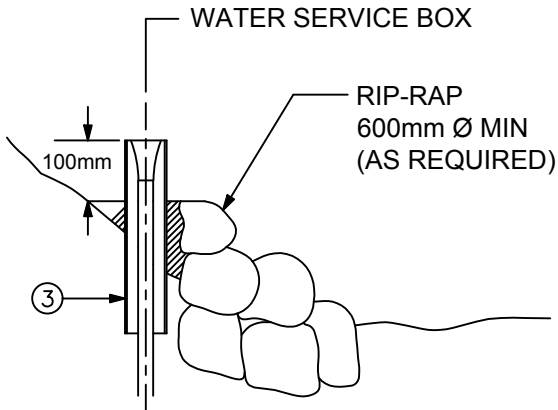


**CASE 1:**

WATER SERVICE BOX IN  
NON TRAVELLED AREA.



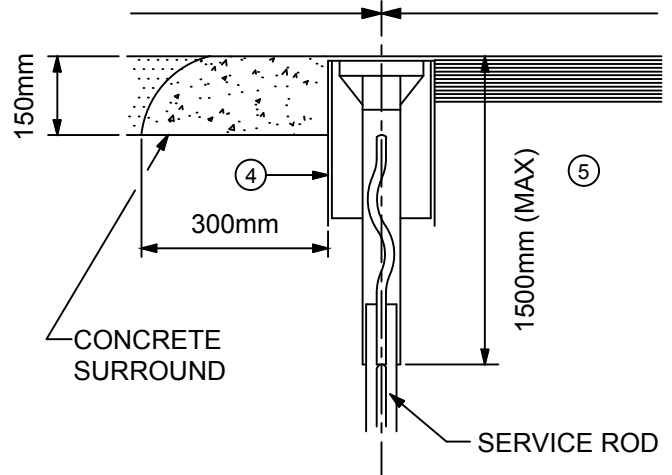
SERVICE BOX MUST BE A MINIMUM OF 100mm  
ABOVE FINISHED GROUND IN NON TRAVELED AREAS

**CASE 2:**

GRAVEL  
DRIVEWAY

**CASE 3:**

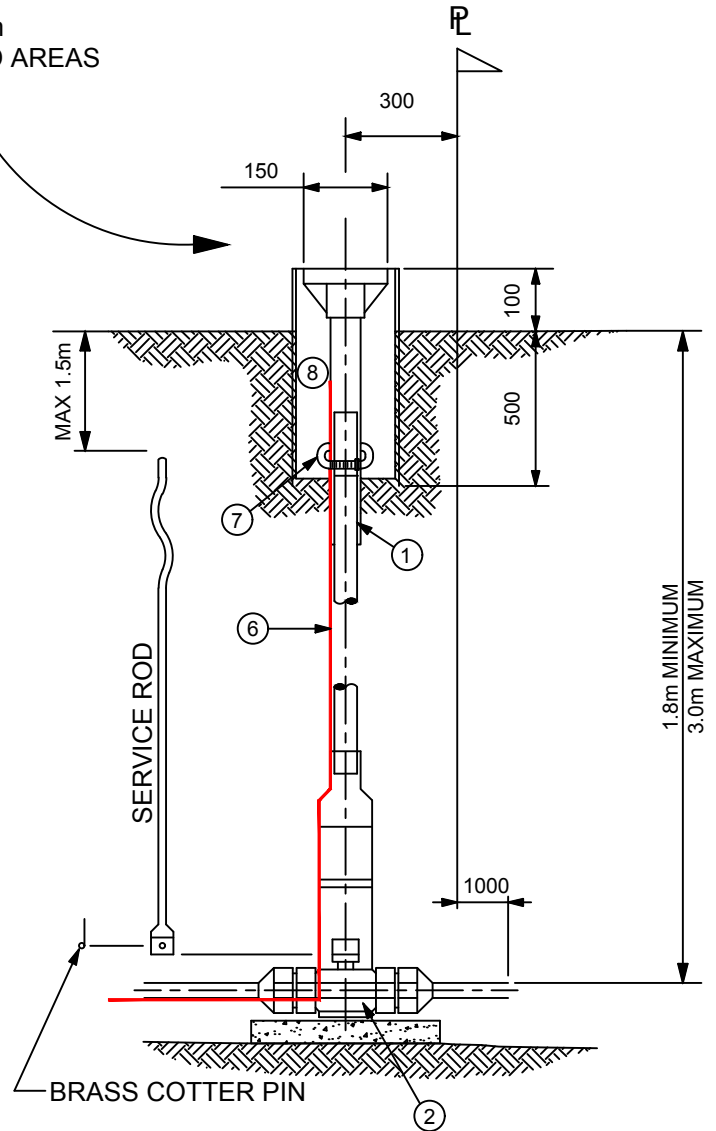
ASPHALT/CONCRETE  
DRIVEWAY



1. McAVITY STANDARD SERVICE BOX c/w RIB COVER & 14mmØ ROD OR EQUAL.
2. 19mmØ FORD CORP. STOP OR EQUAL.
3. 150mmØ PVC CASING PIPE 600mm IN LENGTH
4. NELSON BOX (FOR CASES 2 & 3)
5. WHERE EXTENSIONS ARE REQUIRED TO MUNICIPAL SERVICE BOX, SUCH EXTENTIONS SHALL BE NOT GREATER THAN 1.50m. SERVICE ROD EXTENTION SHALL BE 1.20m MAX IN LENGTH AND SHALL BE ASPHALT OR EPOXY COATED.
6. FOR TRACER WIRE INSTALLATION: TRACE WIRE SHALL BE #12 AWG COPPER CLAD STEEL, HIGH STRENGTH WITH MINIMUM 450LB BREAK LOAD, WITH MINIMUM 30MIL HDPE INSULATION THICKNESS.
7. TRACER WIRE TO BE GROUNDED TO SERVICE BOX USING HOSE CLAMP AND WRAPPED AS NOTED BELOW.
8. ADDITIONAL 300MM OF WIRE TO BE COILED AROUND THE TOP OF THE SERVICE BOX AND END OF WIRE IS TO BE CAPPED WITH MARETTE AND WRAPPED IN ELECTRICAL TAPE.

**NOTES:**

- ALL DUPLEX LOTS SHALL HAVE TWO SEPARATE 19mmØ WATER SERVICE CONNECTIONS.
- APPLY AN APPROVED CORROSION PROTECTION SYSTEM TO ALL BURIED FERROUS FITTINGS, FLANGES, FASTENERS, ETC. SUCH AS "DENSO" PETROLATUM TAPE SYSTEM; INCLUDING PASTE, PROFILING MASTIC AND TAPE AS PER MANUFACTURER'S INSTRUCTIONS, OTHER CORROSION PROTECTION SYSTEMS MAY BE USED UPON APPROVAL OF THE RMOW.



**RESORT MUNICIPALITY of WHISTLER**

**RESIDENTIAL WATER SERVICE**

DRAWN BY: BL

DATE: JANUARY 2018

SCALE: N.T.S.

DWG. NO.: W2-B