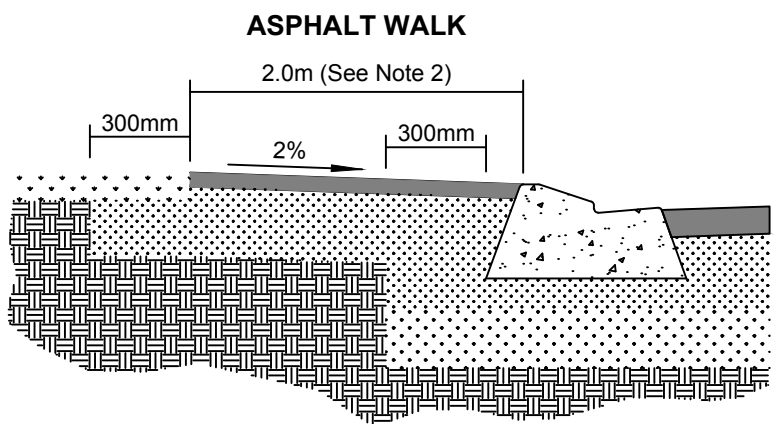
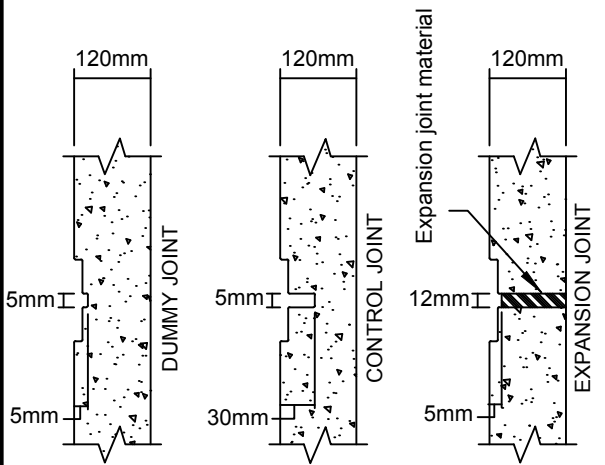
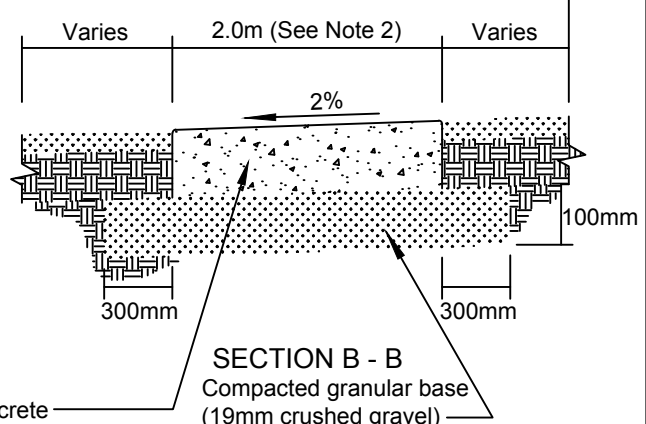
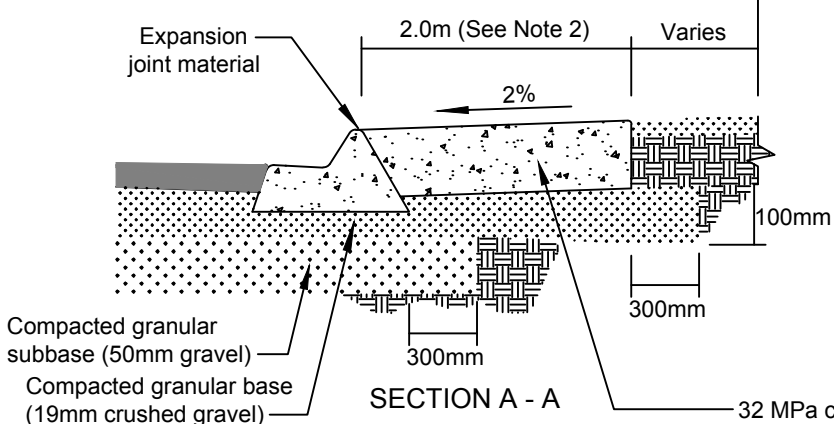


CONCRETE WALK

CONCRETE WALK



- Notes:
1. Refer to Section 02523 of the Master Municipal Construction Document for detailed specifications.
 2. Minimum 1.5m with preference for 2.0m width.



RESORT MUNICIPALITY of WHISTLER
SIDEWALKS

DRAWN BY: RA & BL	DATE: JANUARY 2019
SCALE: N.T.S.	DWG. NO.: C2