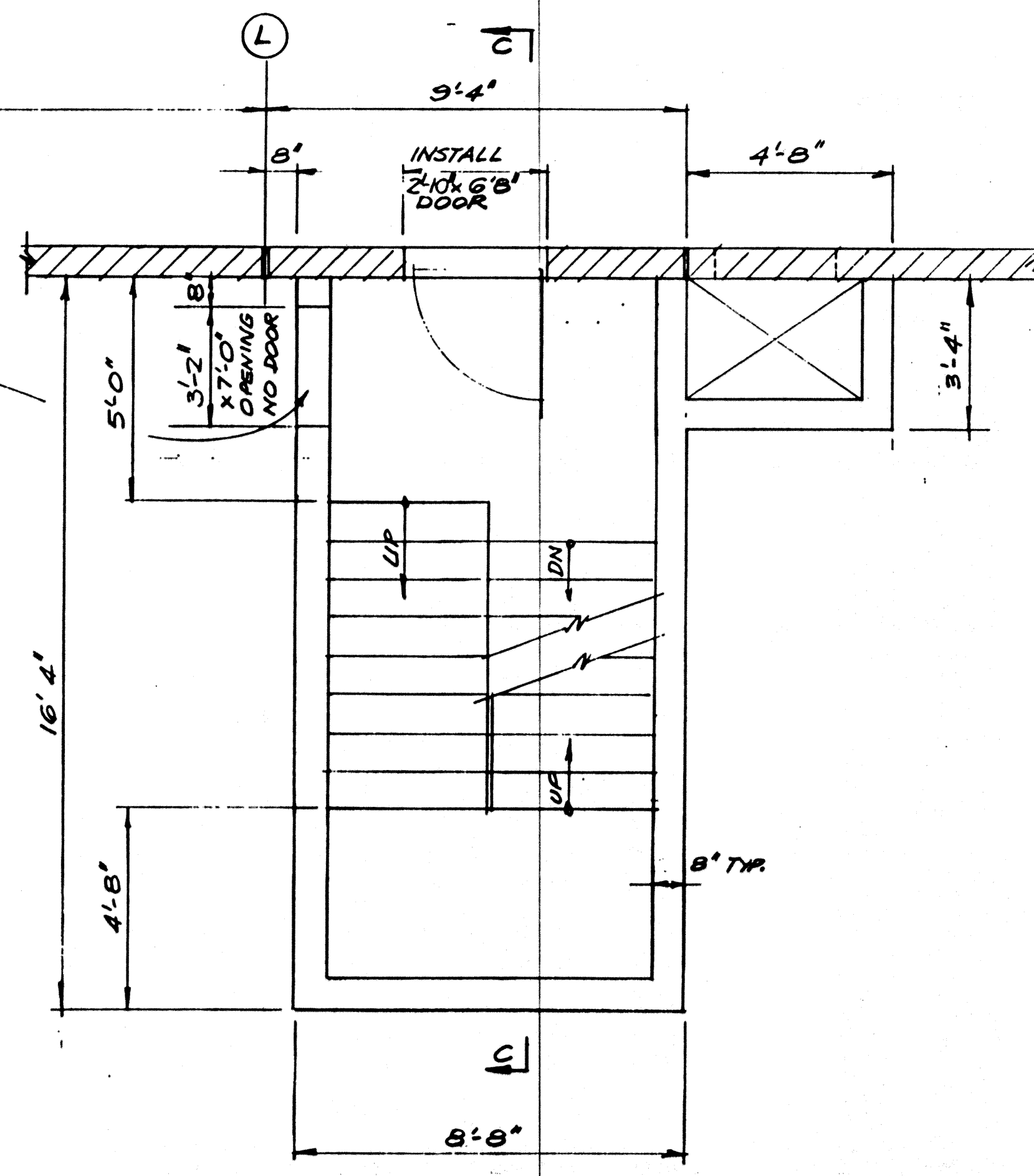
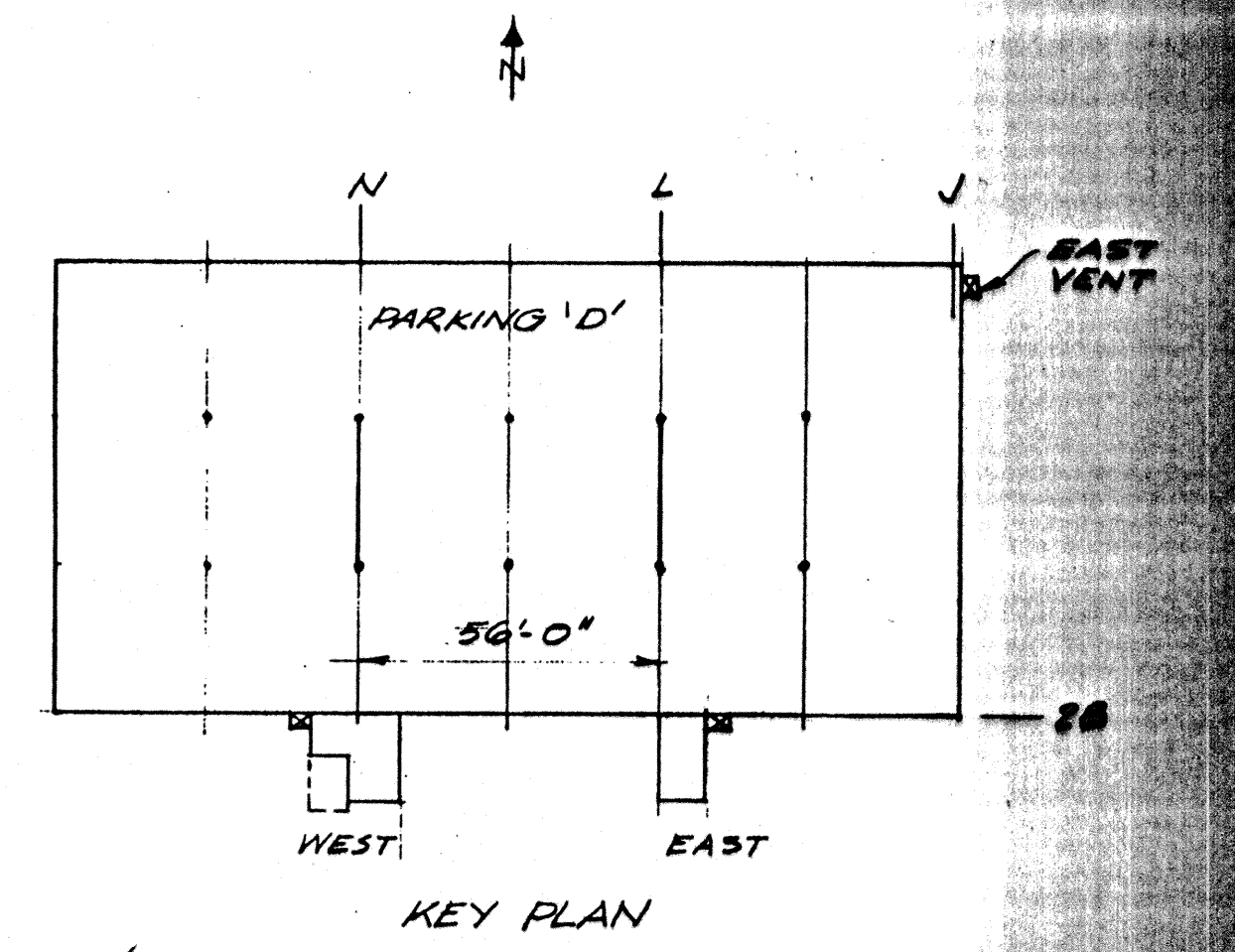


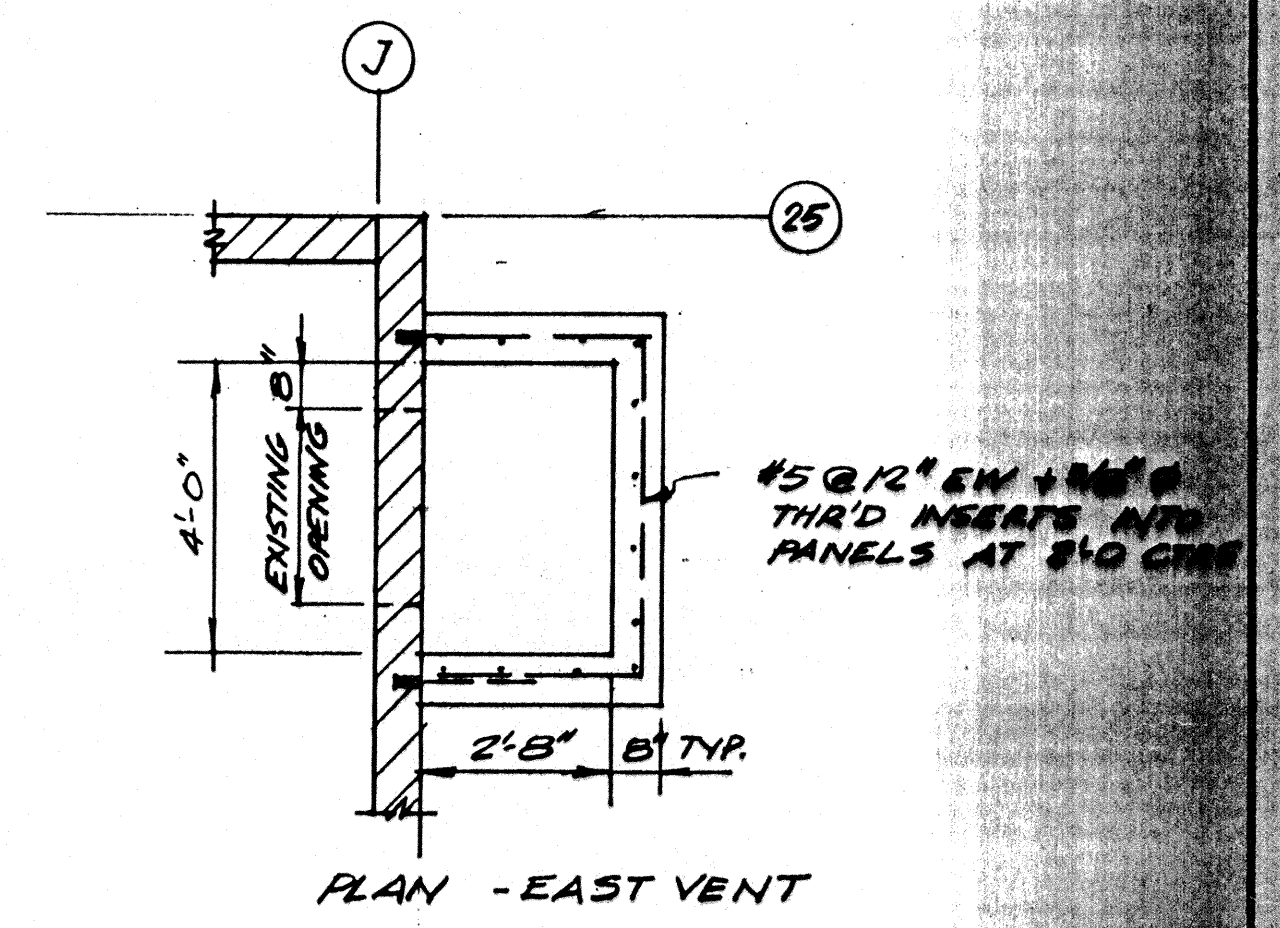
PLAN - WEST STAIR - LEVEL 2



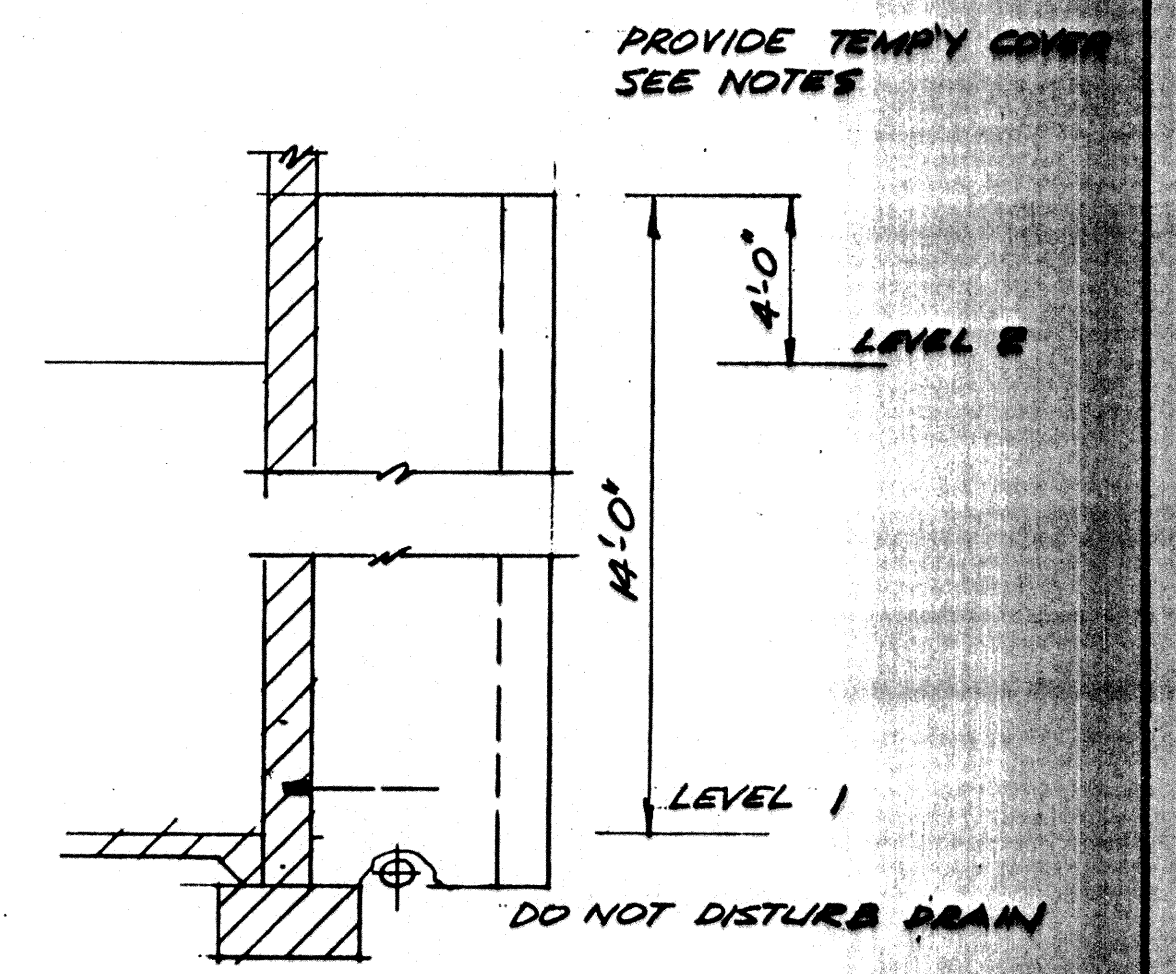
PLAN - EAST STAIR - LEVEL 2



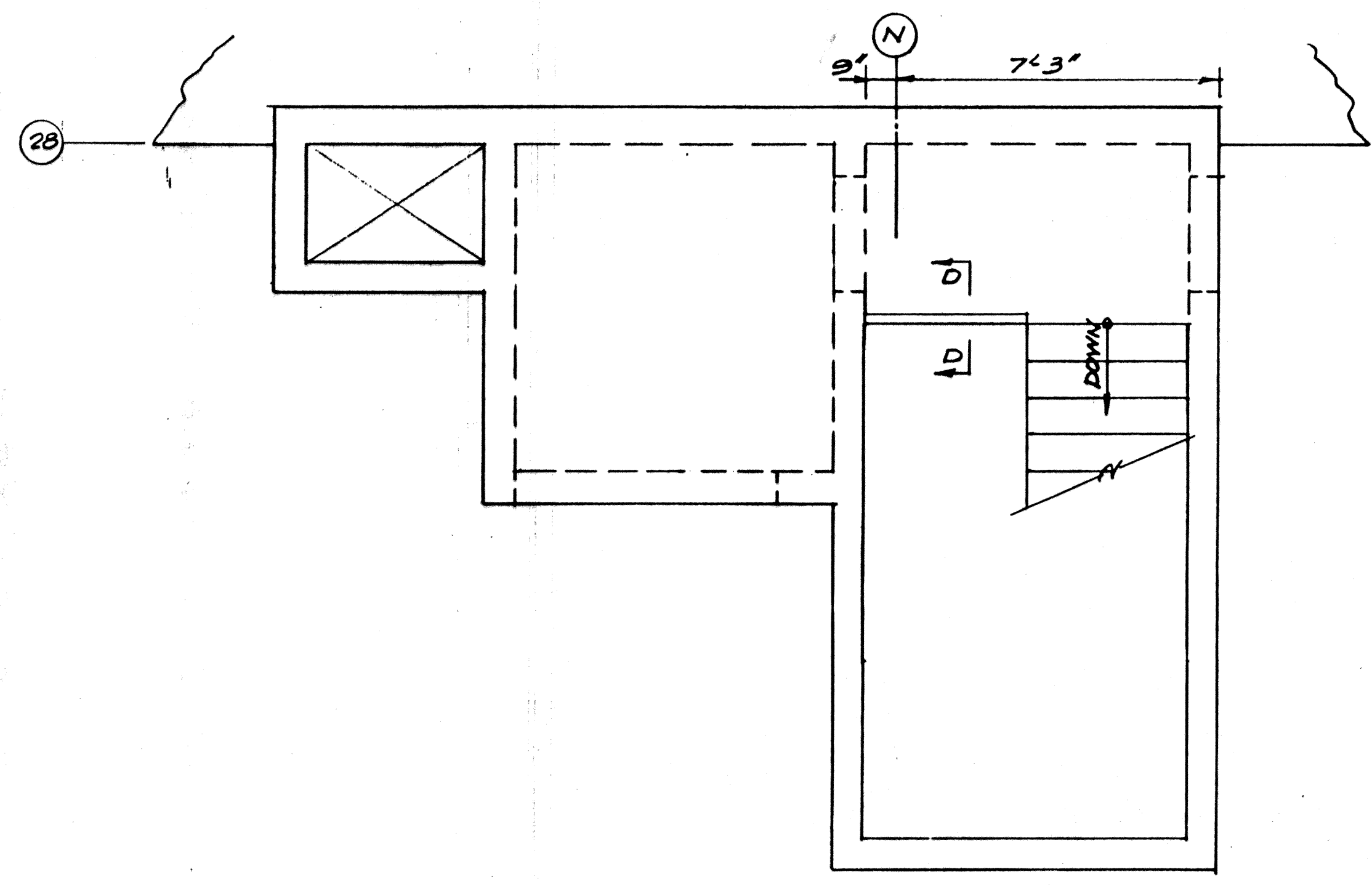
KEY PLAN



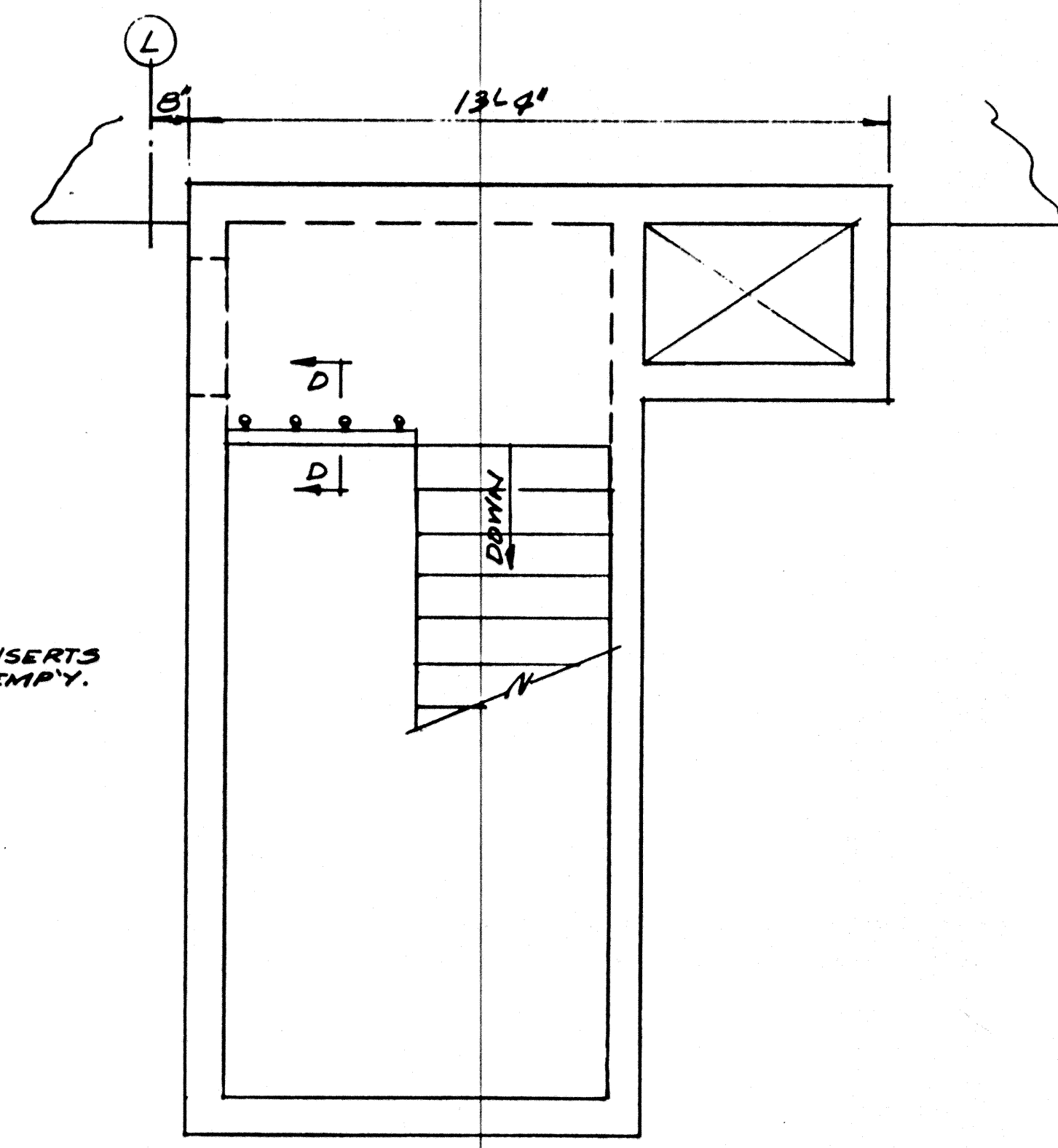
PLAN - EAST VENT



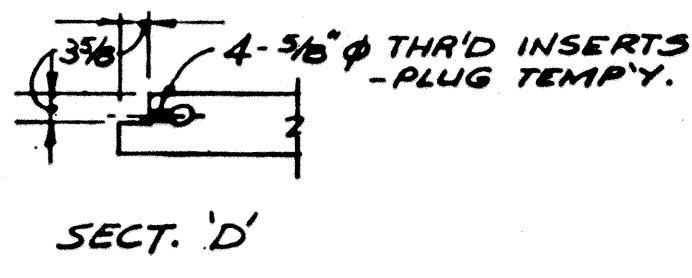
ELEVATION EAST VENT



PLAN - WEST STAIR - LEVEL 3



PLAN - EAST STAIR - LEVEL 3



SECT. 'D'

OMNI ENGINEERING CONSULTANTS LTD		VANCOUVER, B.C.		255-8011	
SCALE: 3/8" = 1 FT.	APPROVED BY:			DRAWN BY: 28	
DATE: 29 SEP '79					
WHISTLER VILLAGE LAND CO. LTD					
PARKING STRUCTURE 'D'					
STAIRS, CONCRETE OUTLINE					518